

MAN Alpha

Propeller Maintenance Concept
Type VBS



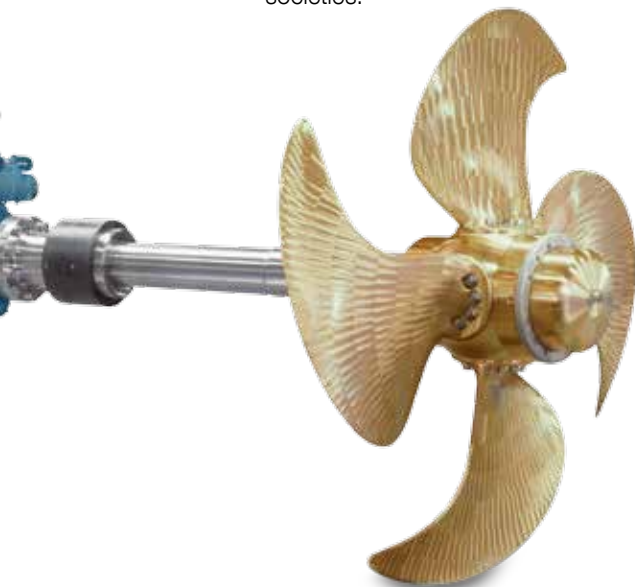
5 and 10 Year propeller maintenance for type VBS propellers



To ensure the long-term peak performance and reliability of your MAN Alpha propeller and Alphasonic propulsion control system – MAN Diesel & Turbo can now offer an extended package with after-sales services for new and existing systems

Maintenance concept

The service package will typically include our standard propeller maintenance performed in connection with the 5 and/or 10 year inspections – in accordance with the docking periods recommended by the classification societies.



5-year package

- A 5-year package includes control of the entire propeller system, with focus on the mechanical, hydraulic and electrical key parameters
- Blade seals and filters will be exchanged
- Tolerances on wearing parts will be control-measured and recorded
- Guidance for the remaining lifetime will be given
- A recommended spare part kit is prepared and available for quick delivery.

10-year package

- A 10-year package additionally includes an extended inspection and overhaul of the entire propeller hub
- Wearing parts will be control-measured and recorded
- Guidance for the remaining lifetime will be given
- Also here a recommended spare part kit is available for quick delivery.

A Maintenance Concept

tailored to your operational needs



The extent of our service and scope of inspections are performed according to MAN Diesel & Turbo's accumulated experience and durability recommendations to the classification societies

Customer advantages

Example of parameters checked:

Hydrodynamic

Blade surface, possible cavitation marks or impact damages. Blade shape, via 3-point geometrical measurements.

Mechanical

Clearance measurements of propeller hub, blade feet, pitch control head. Exchange of blade seals.

Hydraulic

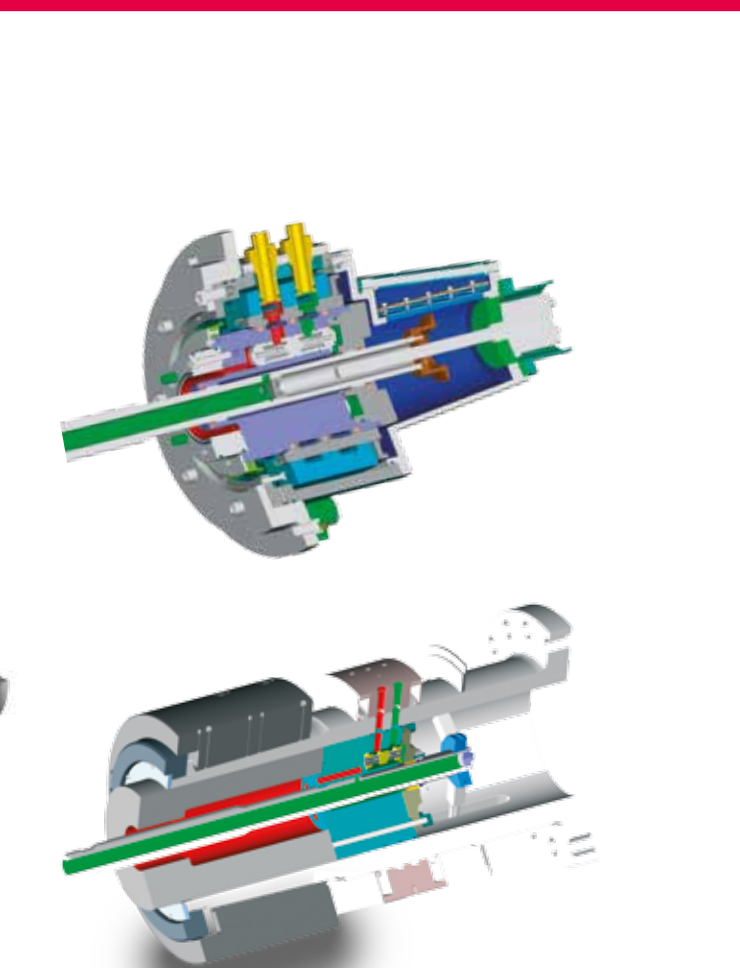
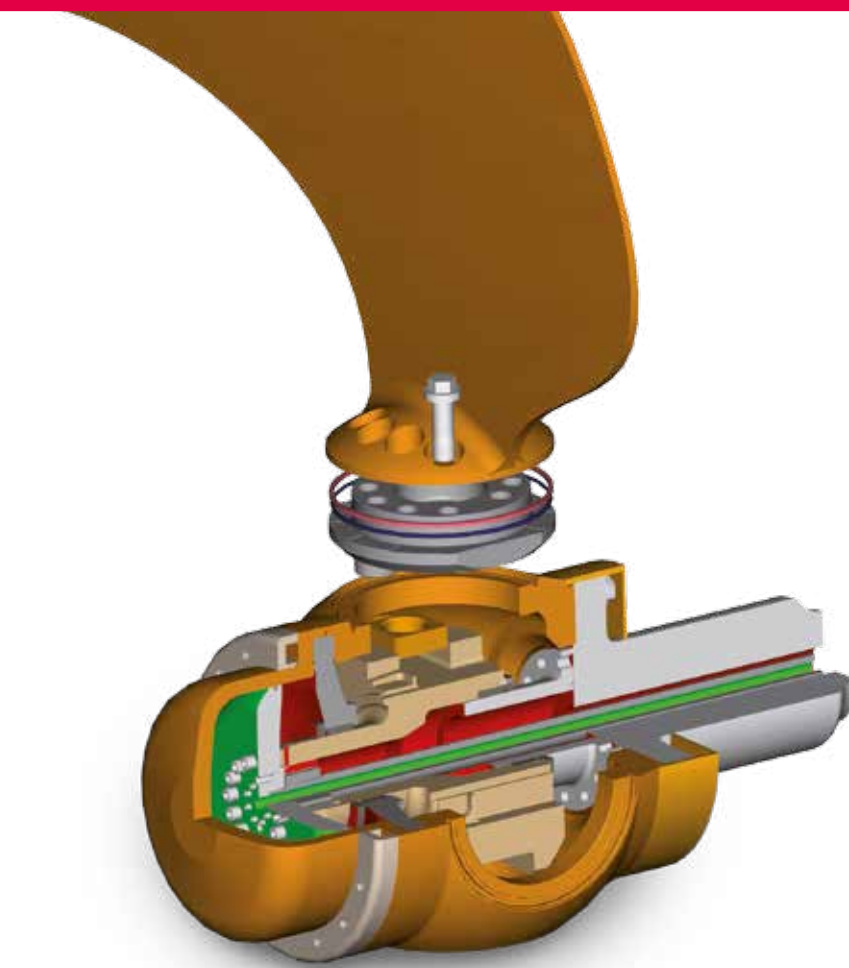
Check of servo-oil system and exchange of high-pressure hoses. Leak-test of hydraulic connections and the hub. Performance test of the OD-Ring, and re-adjustment of the hydraulic system.

Electrical

Adjustment and upgrade of pitch feed-back system. Control of manoeuvre system response time. Check of remote, local and emergency manoeuvres.

Customer benefits and documentation

- Parts available via standardised kits
- Optimal service and overhaul planning
- Certificate and measuring reports supplied
- Maximum reliability between scheduled dockings
- Optimised operational economy
- Service cost transparency.



Safe and Accurate Propulsion Control

from your finger tips to the propeller tips



All data provided in this document is non-binding. This data serves informational purposes only and is especially not guaranteed in any way. Depending on the subsequent specific individual projects, the relevant data may be subject to changes and will be assessed and determined individually for each project. This will depend on the particular characteristics of each individual project, especially specific site and operational conditions. Copyright © MAN Diesel & Turbo. 1510-0105-05ppr April 2017 Printed in Denmark

MAN Diesel & Turbo

PrimeServ Frederikshavn

Propulsion

Niels Juels Vej 15

9900 Frederikshavn, Denmark

Phone +45 96 20 41 00

Fax +45 96 20 40 30

PrimeServ-frh@mandieselturbo.com

www.mandieselturbo.com