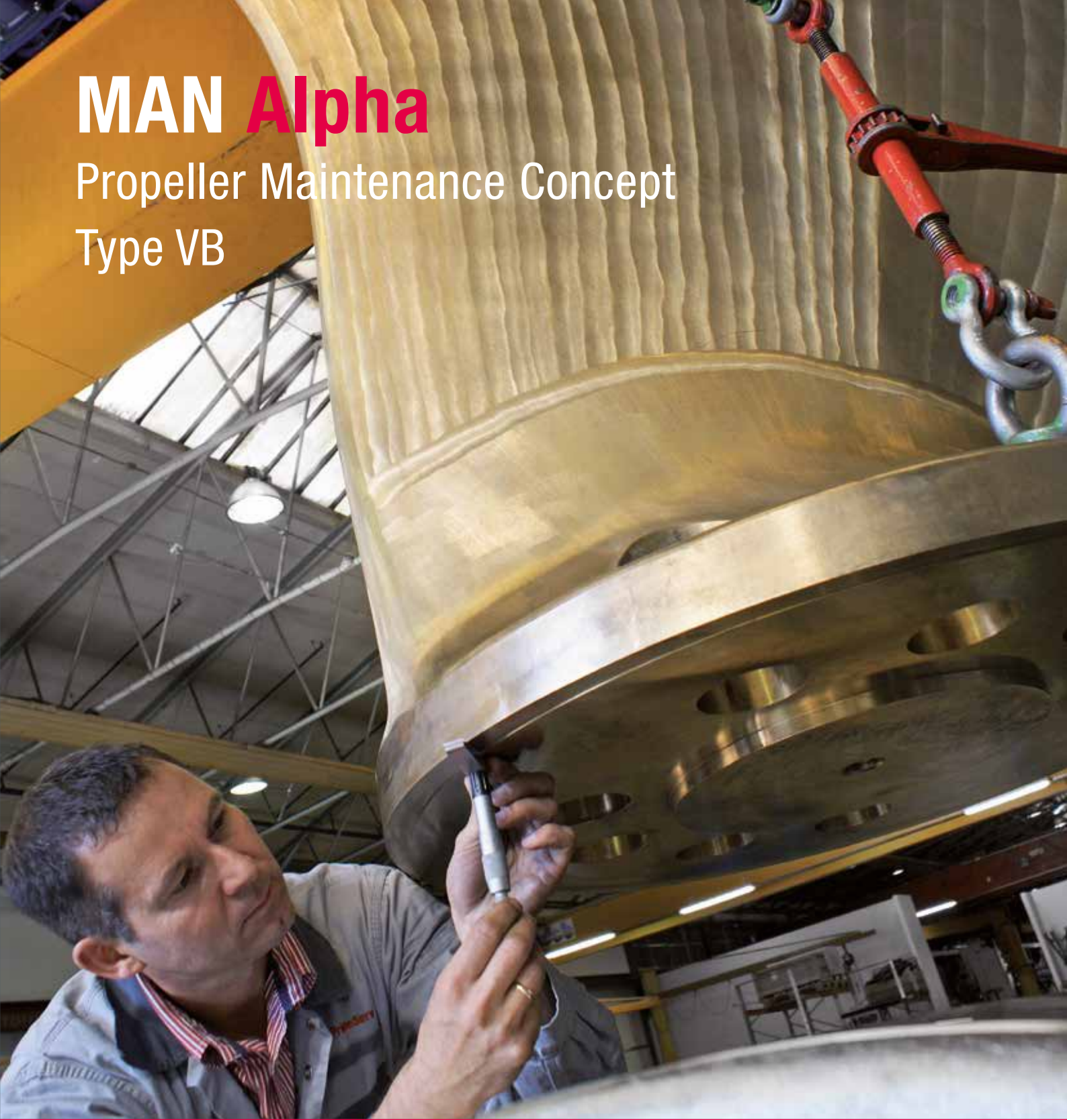


MAN Alpha

Propeller Maintenance Concept

Type VB



5 and 10 Year propeller maintenance for type VB propellers



To ensure the long-term peak performance and reliability of your Alpha propeller and Alphasonic propulsion control system – MAN Diesel & Turbo can now offer an extended package with after-sales services for new and existing systems

Maintenance concept

The service package will typically include our standard propeller maintenance performed in connection with the 5 and/or 10 year inspections – in accordance with the docking periods recommended by the classification societies.



5-year package

- A 5-year package includes control of the entire cp propeller system, with focus on the mechanical, hydraulic and electrical key parameters.
- Blade seals and filters will be exchanged.
- Tolerances on wearing parts will be control-measured and recorded.
- Guidance for the remaining lifetime will be given.

10-year package

- A 10-year package additionally includes an extended inspection and overhaul of the entire propeller hub.
- Wearing parts will be control-measured and recorded.
- Guidance for the remaining lifetime will be given.

A Maintenance Concept

tailored to your operational needs



The extent of our service and scope of inspections are performed according to MAN Diesel & Turbo's accumulated experience and durability recommendations to the classification societies

Customer advantages

Example of parameters checked:

Hydrodynamic

Blade surface, possible cavitation marks or impact damages. Blade shape, via 3-point geometrical measurements.

Mechanical

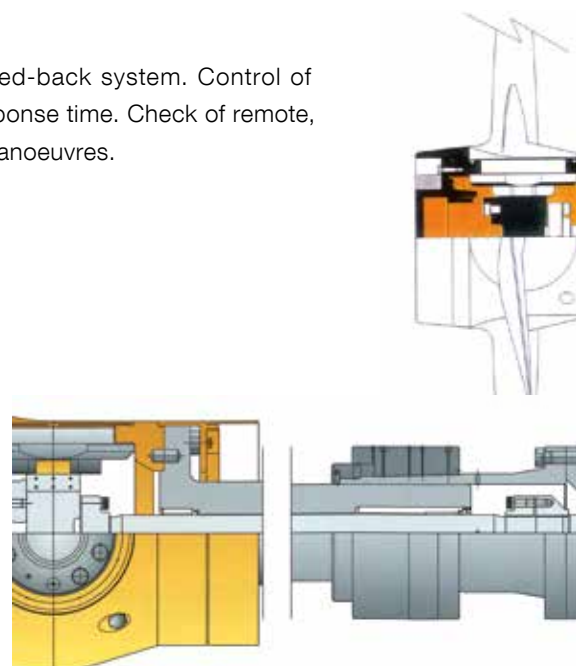
Clearance measurements of propeller hub, blade feet, pitch control head. Exchange of blade seals.

Hydraulic and pitch control

Check of gearbox or shaft servo-oil system and stern tube sealing. Performance test of the pitch control, and re-adjustment pitch control movement.

Electrical

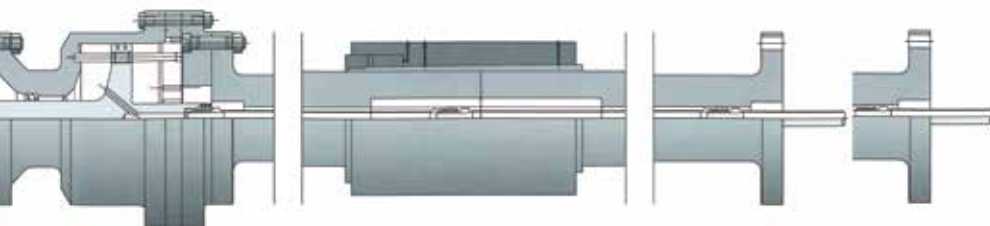
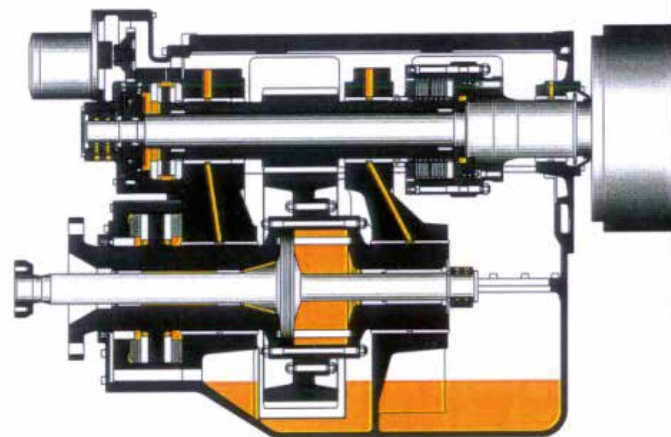
Adjustment of pitch feed-back system. Control of manoeuvre system response time. Check of remote, local and emergency manoeuvres.





Customer benefits and documentation

- Optimal service and overhaul planning
- Certificate and measuring reports supplied
- Maximum reliability between scheduled dockings
- Optimised operational economy
- Service cost transparency



*VB type (above)
propeller servo in gearbox
VB/VSA (right)
propeller servo in shaftline*

Safe and Accurate Propulsion Control

from your finger tips to the propeller tips



All data provided in this document is non-binding. This data serves informational purposes only and is especially not guaranteed in any way. Depending on the subsequent specific individual projects, the relevant data may be subject to changes and will be assessed and determined individually for each project. This will depend on the particular characteristics of each individual project, especially specific site and operational conditions. Copyright © MAN Diesel & Turbo. 1510-0145-02ppr April 2017 Printed in Denmark

MAN Diesel & Turbo

PrimeServ Frederikshavn

Propulsion

Niels Juels Vej 15

9900 Frederikshavn, Denmark

Phone +45 9620 4100

Fax +45 9620 4030

PrimeServ-frh@mandieselturbo.com

www.mandieselturbo.com